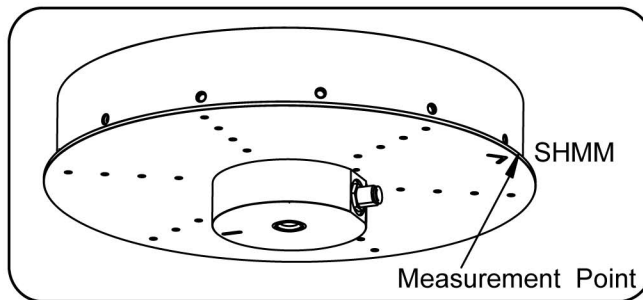
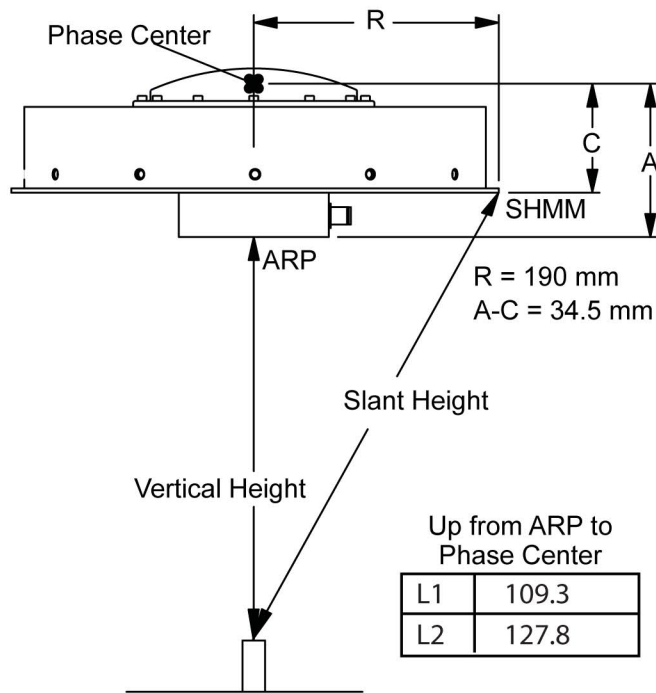
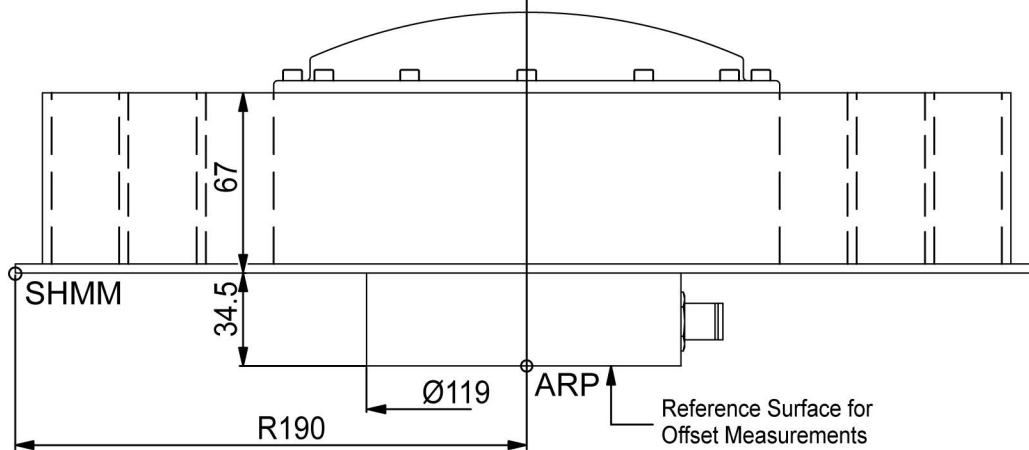


CR-G3 Antenna Offset Measurements



CR-G3 CHOKE RING ANTENNA



Topcon Positioning Systems, Inc.
 7400 National Drive, Livermore, CA 94551 United States
 1-866-4TOPCON ©2006 Topcon Corporation.
 All rights reserved. No unauthorized duplication.
 P/N 7010-0760 Rev. A Printed in U.S.A. 5/06 100 ECO#2774

ARP - Antenna Reference Point
 SHMM - Slant Height Measure Mark

Dimensions are in millimeters